

1/11

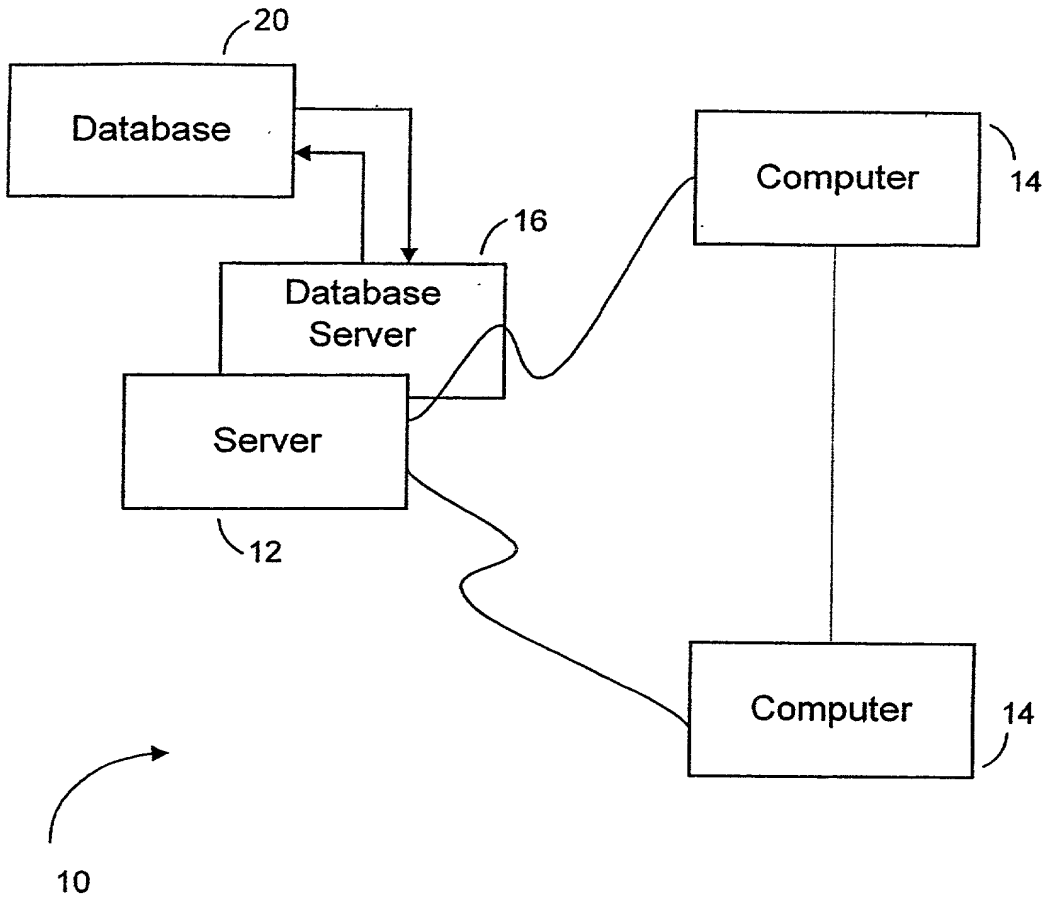


FIG. 1

FIG. 1

10

2/11

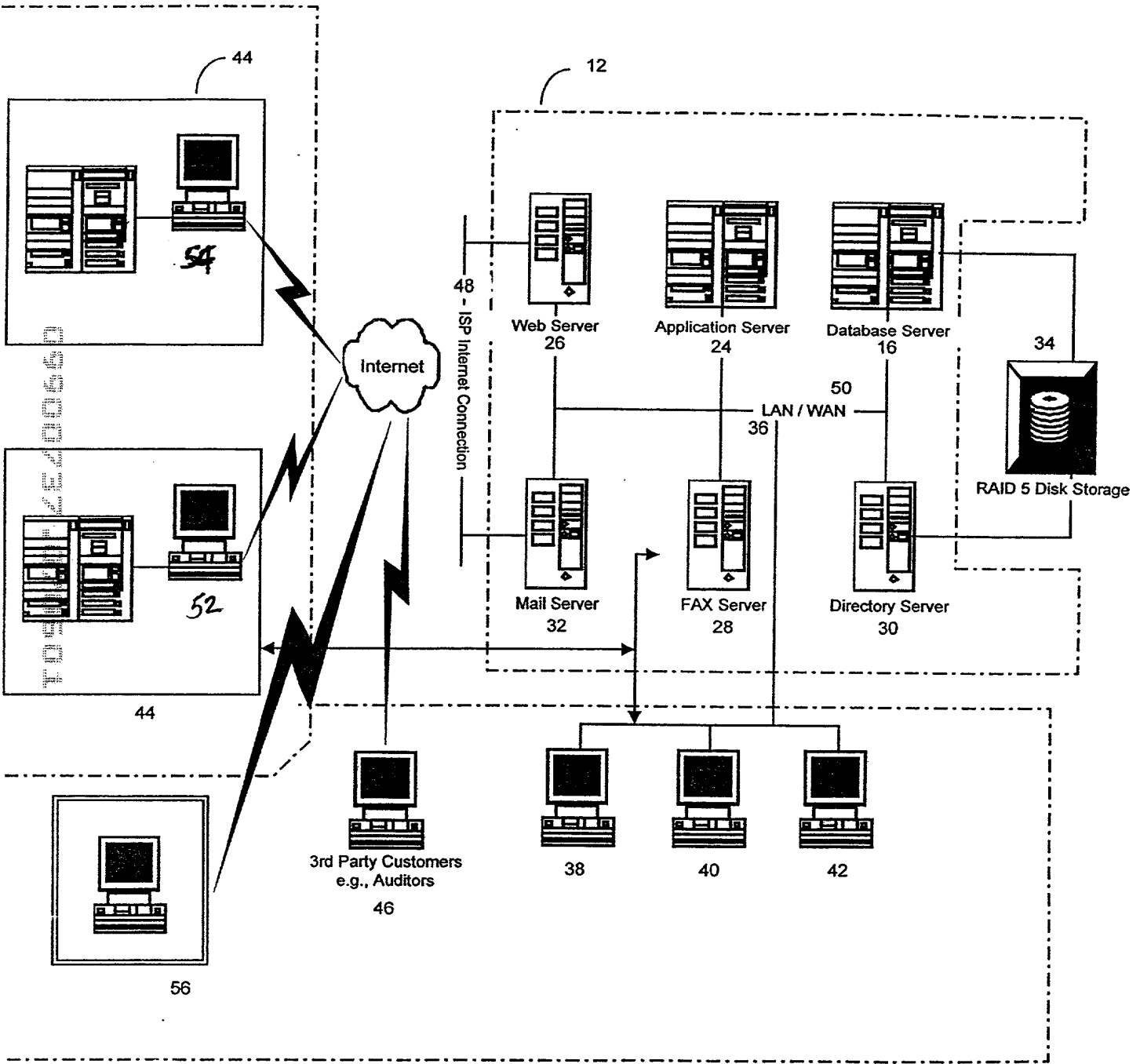


FIGURE 2

22



4/11

104

File Edit View Favorites Tools Help

Back Forward Stop Refresh Home Search Favorites History Mail Print Edit

Address

Go Links

# SUPPLY CHAIN

Application Menu Site Tools Site News SupportCentral

web center

### Tutorial for Automated Metrics

Metric	Measurement	Last FW/Month	2001 YTD Average	Goal	Definition	Last Updated
<b>Quality</b>						
Internal Escapes	# of S044's (weekly)	2	4.1	6		04/03/2001 (FW 12)
Supplier Quality	# of Customer Events (weekly)	2	6.6	4.5		04/03/2001 (FW 12)
<b>Delivery</b>						
Assembly Delivery SPAN	Delta Days Early/Late (monthly)	31	27	5		04/03/2001 (FEBRUARY)
Shop Delivery	% Service Level (weekly)	47	●	TBD		02/13/2001 (FW 4)
Shop Delivery SPAN	Delta Days Early/Late (weekly)	27	TBD	6		02/13/2001 (FW 4)
Supplier Delivery	% Service Level (weekly)	43	●	95		04/03/2001 (FW 11)

### Legend

- Automated Data - Data automatically populated directly from databases
- Static Data - Data manually collected and reported
- Metric definition and information
- Engine line, Customer or P/N dependent - see data.
- TBD To be determined

116

118

120

122

Start Inbox - Microso... Microsoft Pow... Supply Chain ... Supplier Addr... Microsoft Excel... Inside GE Aircr... Welcome to... Internet

9:37 AM

FIGURE 4

100

5/11

109070 2600650

● A.I.D.C. (04398) ●

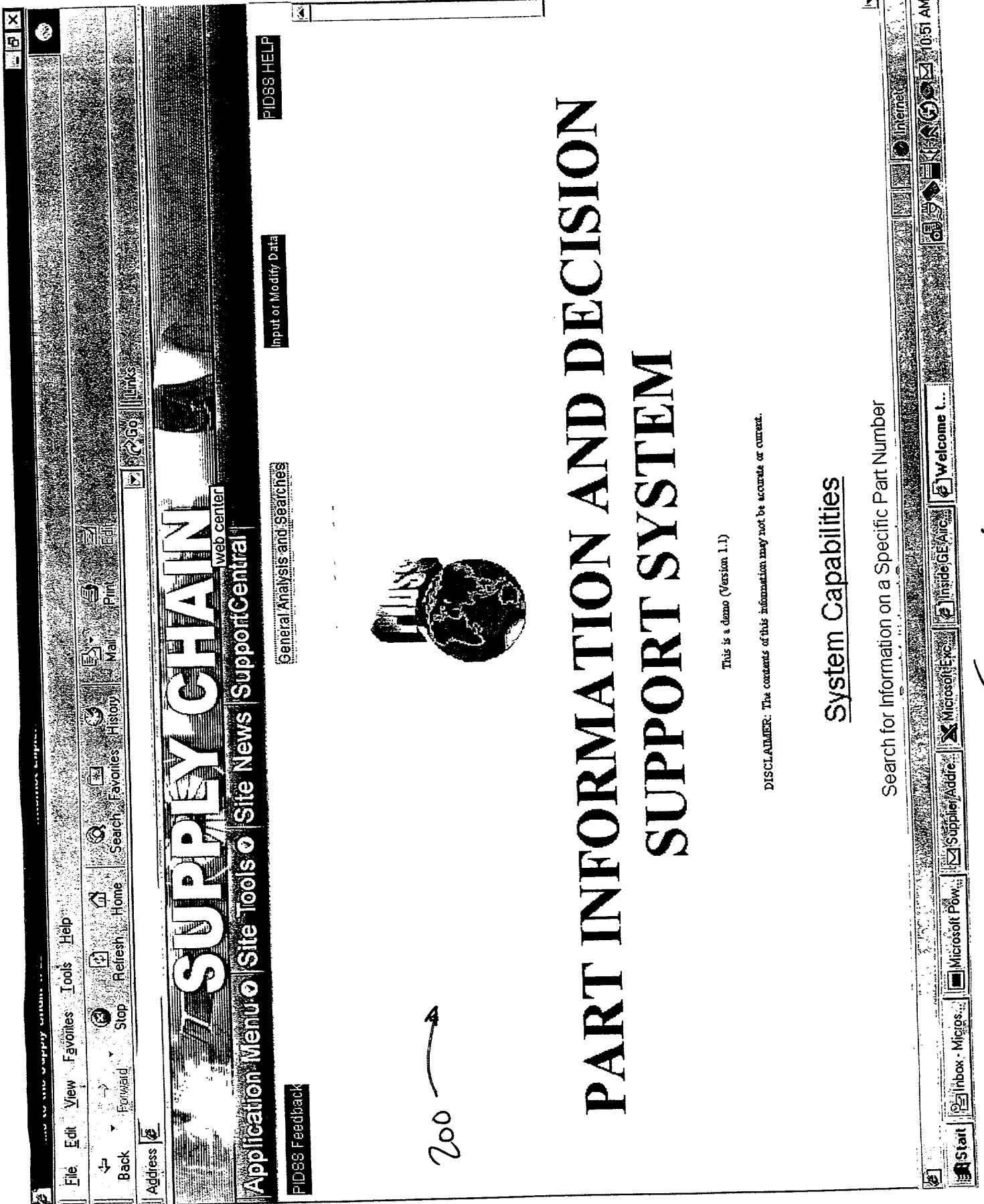
Supplier Ready-To-Ship (RTS) Buffer Zone Status

Part Number	Update Qty	Buffer Zone Req'd	RTS Qty	Coverage Percent	Coverage Commit Date or Comment	RTS Qty Last Changed On
	0	Enter the number of "ADD" lines you want [ ]				
To add a new part, enter the part number and Qty on the above line						
To remove a part, enter the word "delete" in Update Qty column/s below						
1312M99G02		2	12			04/10/2000 04/19/04
1380M14G11		12	6			04/19/04
1380M14G12		12	1			04/10/2000 04/19/04
1380M42G11		12	0			04/10/2000 04/19/04
1380M42G12		12	0			04/10/2000 04/19/04
1559M30G06		8	0			03/31/2000 09/18/19
1559M30G10		30	0			03/31/2000 09/18/19
1559M40G03		20	0			03/31/2000 09/18/19
1559M70G02		7	3			04/10/2000 04/19/04
1804M44P03		12	56			04/10/2000 04/19/04
1806M80G01		8	29			04/10/2000 04/19/04
1806M80G01		8	29			03/31/2000

150 ↗

FIGURE 5

6/11



200 →

# PART INFORMATION AND DECISION SUPPORT SYSTEM

This is a demo (Version 1.1)

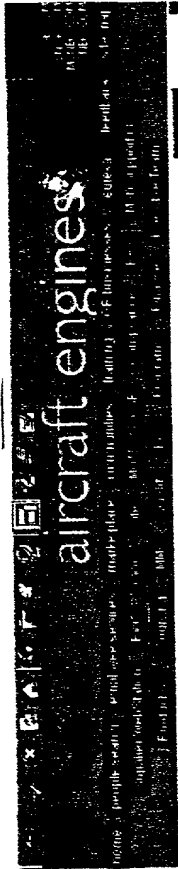
DISCLAIMER: The contents of this information may not be accurate or current.

## System Capabilities

Search for Information on a Specific Part Number

FIGURE 6

7/11



GE Aircraft Engines

- Config. Mfg Process
- Product Support
- Parts
- Engine
- GE Aircraft Engines
- GE Aircraft Engines
- GE Aircraft Engines
- GE Aircraft Engines
- GE Aircraft Engines
- GE Aircraft Engines

Date: 04/28/2000

LINE	LCF - 1	LCF - 2	TIME/TEMP INDEX	OPERATING HOURS	LMCH-0265
1	a	b	c	d	
1-701C	GE-E-003607	ENGINE	607124001		
1	0	0	0	0	READING AT REMOVAL OF MODULE/RECORDER
2	0	0	0	0	READING AT INSTALLATION OF MODULE/RECORDER
3	0	0	0	0	LINE 3 MINUS LINE 2
4	0	0	0	0	REMOVED COUNTS OF COMPONENT/MODULE
5	0	0	0	0	TOTAL COMPONENT COUNTS
6	0	0	0	0	7. HISTORY RECORDER S/N
7	0	0	0	0	READING AT REMOVAL OF MODULE/RECORDER
8	0	0	0	0	READING AT INSTALLATION OF MODULE/RECORDER
9	0	0	0	0	LINE 8 MINUS LINE 7

250 →

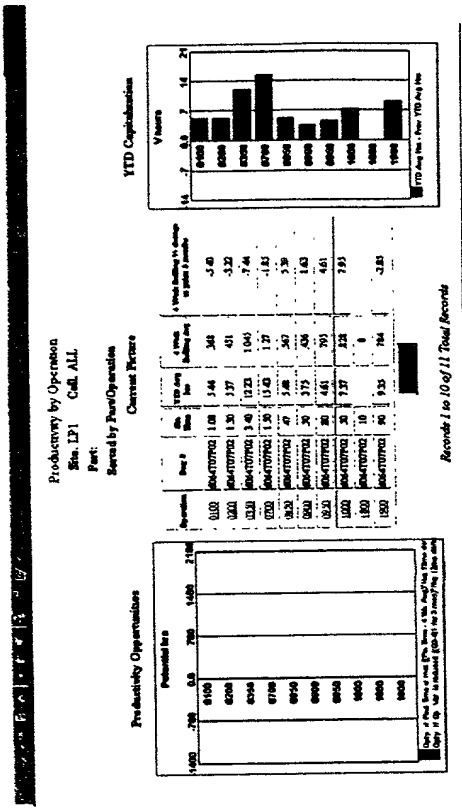
FIGURE 7





9/11

10/30/05 00:00



350

Figure 9

10/11

13DV13763  
John D Whitenack et al

aircraft engines

Engine Run Status at PTO

Highlighted engines are running Last updated Fri Apr 28 15:00:44

PAD	ESN	BLD	RDG#	TIME	DATE	XNH	TFF	TRT
3B	874005	06	874	14 28 04	04/28/00	0	45061	072 12 00
3C	965007	02A	150	22 17 31	04/27/00	1	2690	016 28 00
3D								
3E	779334	02	68	05 35 04	04/21/00	0	6766	013 27 00
4D	965008	01E	6783	22 41 56	04/27/00	1	1156886	542 37 00
5A	706151	01	30	14 47 39	04/28/00	0	2901	002 28 00
5B	876425	01	26	14 58 37	04/28/00	0	1956	003 16 05
6A	900006	06B	645	13 20 31	04/25/00	0	166422	073 07 01

Auto update software by e-mail  
Copyright © 2000 General Electric Aircraft Engines, Cincinnati, OH All Rights Reserved

FIGURE 10

400

